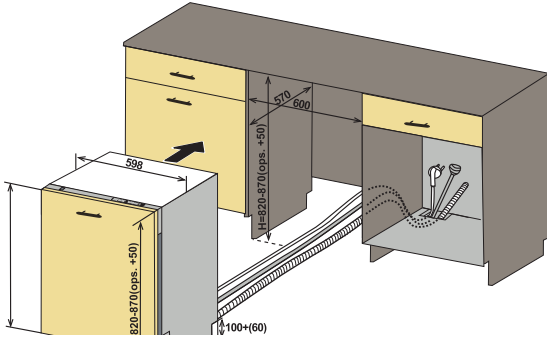
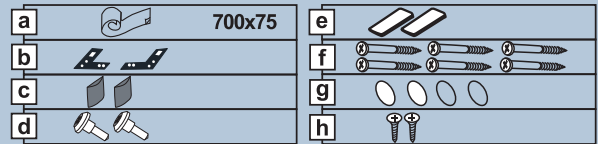


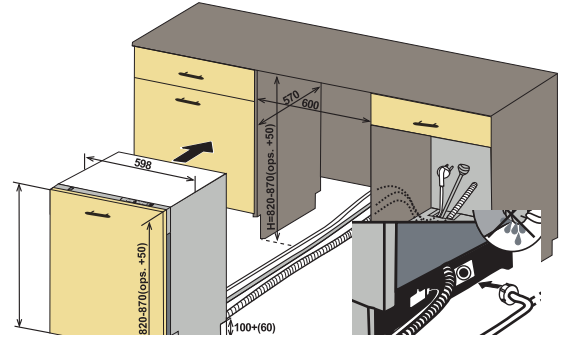


Fitting a door to an integrated dishwasher

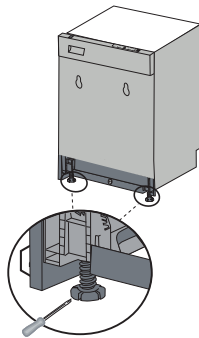
Fittings included for installation:



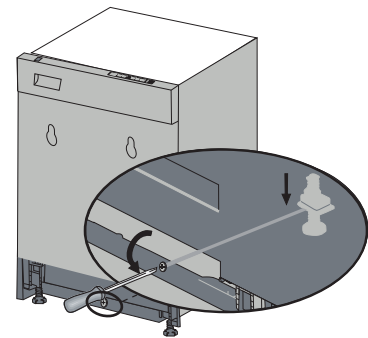
1 Before starting, ensure you have good space around you to work and that you can fully open and close the door.



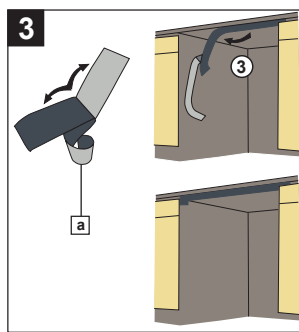
2 Pull out the appliance and ensure water and power are turned off before beginning.



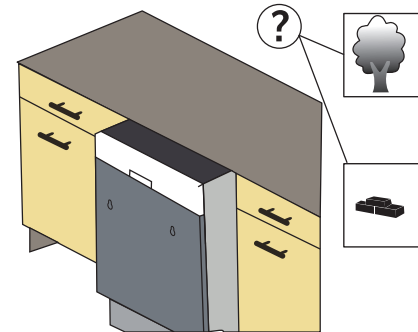
3 Extend the appliance legs. Using a flat head screwdriver, adjust the height of front legs. Twist or lever with screwdriver to adjust.



4 Using a cross head screwdriver, adjust the height of rear leg. Turn the center screw - clockwise moves the rear of the unit up.



5 Take the supplied moisture resistant foil (a) and stick it to underside of the counter top.

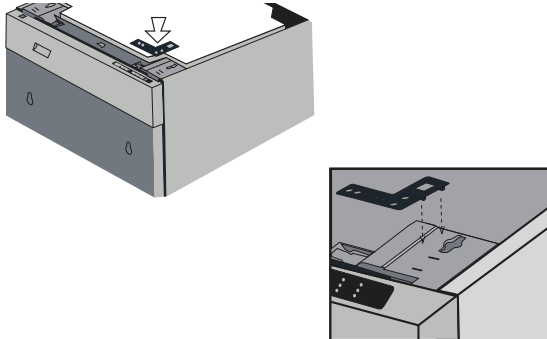
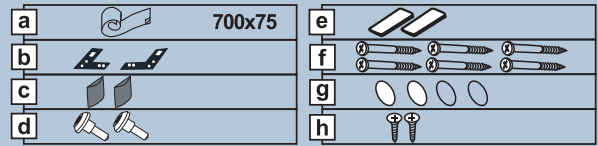


6 Follow the instructions 7a or 7b in the following steps depending on the material of your counter top.

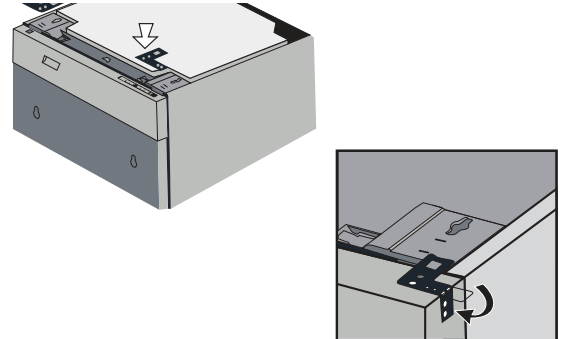


Fitting a door to an integrated dishwasher

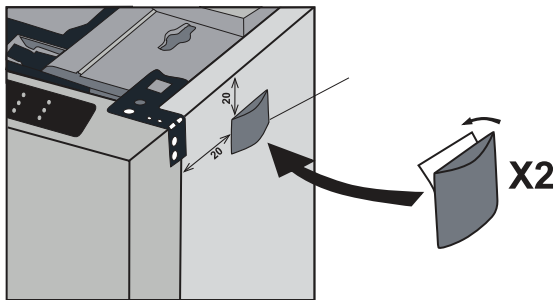
Fittings included for installation:



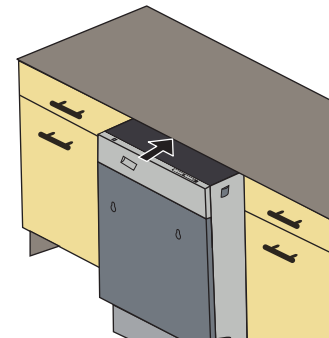
7a Wooden - Fit brackets (b) as shown, matching corner profile of appliance. Ensure bracket slots align with those on the appliance.



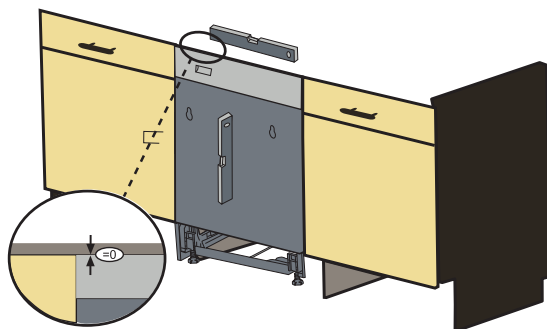
7b Ceramic or stone: Fit brackets (b) as shown, pointing out from the center. Bend the bracket down the side of the appliance.



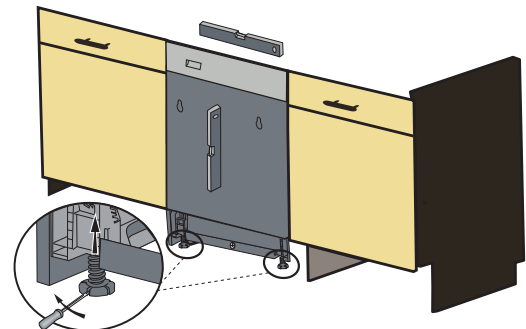
8 Add a supplied side spacer (c) to either side of the appliance.



9 Connect the water supply and waste pipes. Then carefully replace the appliance under the counter top.



10 Raise and level the appliance. Level the appliance. Ensure there is no gap between the appliance and the counter top.



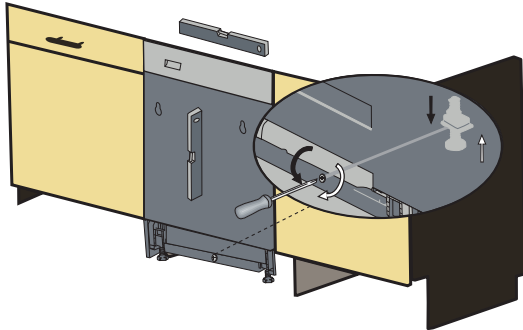
11 To adjust the height of the front legs, use a flat head screwdriver. Twist or lever with the screwdriver.



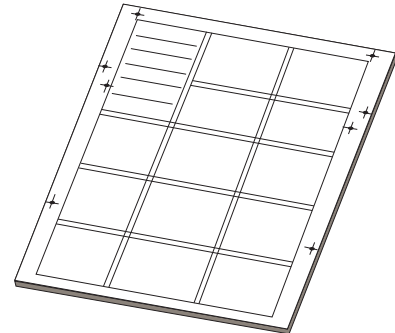
Fitting a door to an integrated dishwasher

Fittings included for installation:

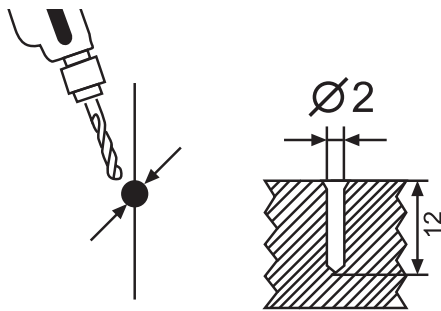
a		700x75	e	
b			f	
c			g	
d			h	



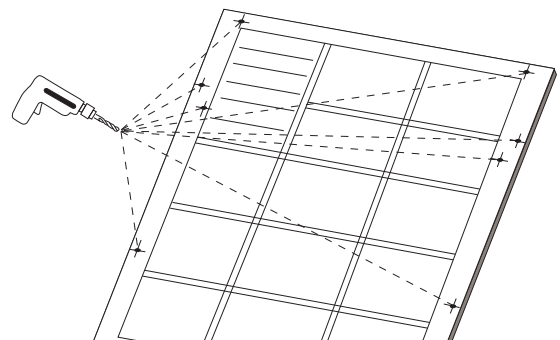
12 Use a cross head screwdriver to adjust the height of rear leg. Turn the center screw clockwise to move the unit up.



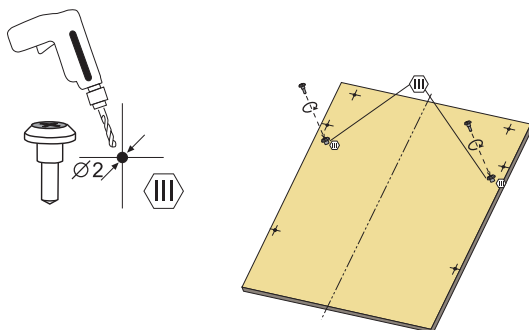
13 Overlay the supplied instructions to the cupboard door and tape down. (Suitable door size 592 - 596mm wide)



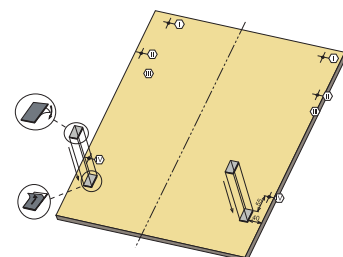
14 Use a 2mm drill bit. Drill to a maximum depth of 12mm into the back of the cupboard door.



15 Drill through each of the marked points on the guide into the rear of the cupboard door.



16 Add the supplied screws (d) to the holes marked

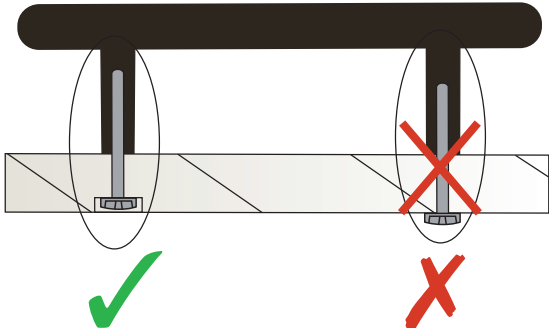
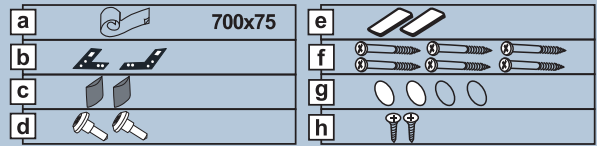


17 Attached the 2 self-adhesive pads (e) to the rear of the door as displayed. (min. 40mm from the sides of the door)

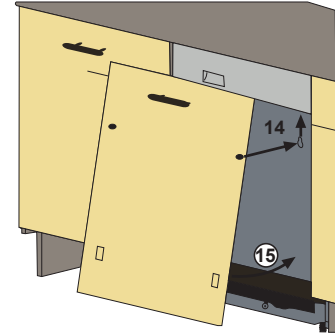


Fitting a door to an integrated dishwasher

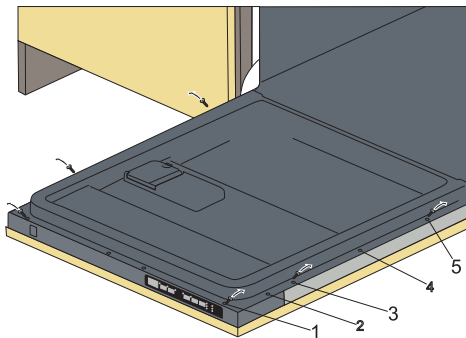
Fittings included for installation:



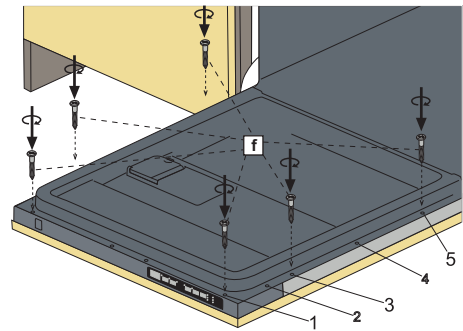
18 If required, attached the handle to your cupboard door. Ensure the screws are recessed fully to avoid damage to the appliance.



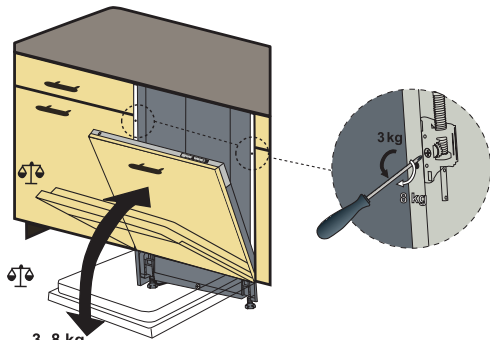
19 Lift the door into place. Align the fitted screws (d). Push the door in and up. Push the lower half to stick the adhesive pads to the appliance.



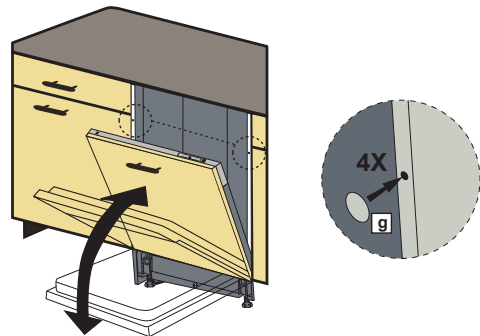
20 Fully open the door and remove the 1st, 3rd and 5th screws illustrated, from each side of the dishwasher inner.



21 Attach the doors using the screws (f) provided. Ensure screws will not come through the front of the door before beginning.



21a Your door is now attached. Adjust the screws either side of the opening, to set door resistance based on the weight.

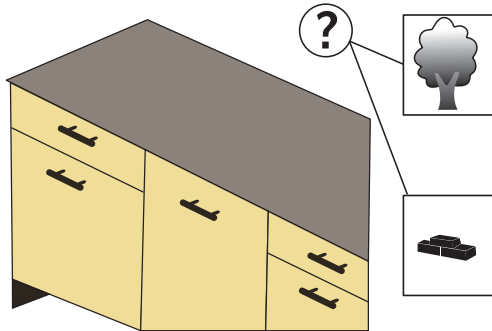
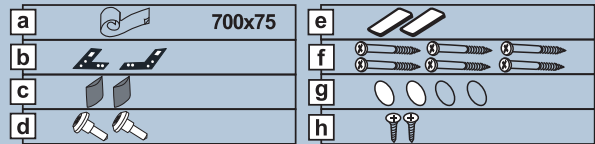


22 Cover the 4 holes with the stickers (g) provided.

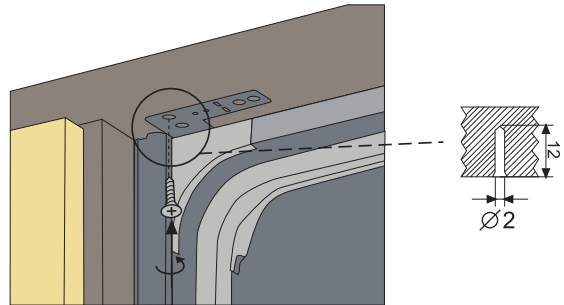


Fitting a door to an integrated dishwasher

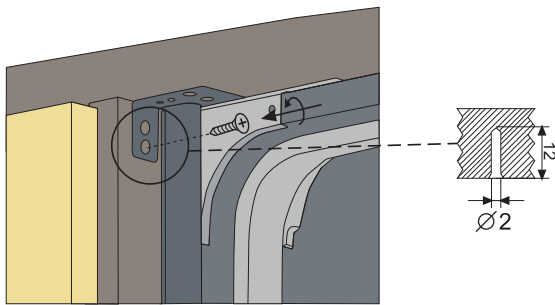
Fittings included for installation:



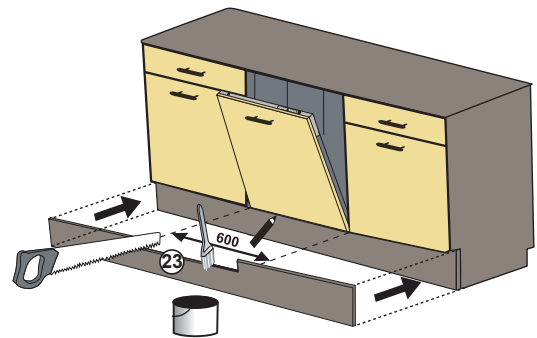
23 Follow the instructions 24a or 24b in the following steps depending on your counter top.



24a Wooden counter tops: Screw vertically up into the counter each side, using the small screws (h) provided.



24b Stone or ceramic counter tops: Attach into the sides of the adjacent units, using the small screws (h) provided.



25 Finally fit the kitchen plinth below the appliance. You may need to cut this to size and treat the surface.

If you are having trouble with attaching the door, or any steps in this guide, please call the Argos White Goods Team for further support on:

0345 257 7271

(Mon - Sat 8am - 6pm, Sundays 10am - 4pm)

To view a video version of this installation please visit:

<https://youtu.be/Je5gpRvLNE8>



This and many more support videos are available from our Argos Support YouTube channel.